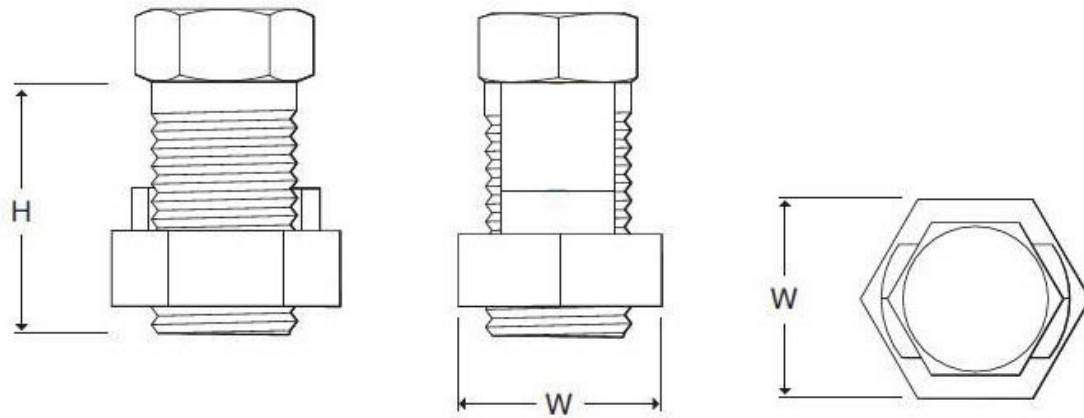

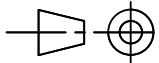


# SPECIFICATION

Main Earth Conductor	Tap Earth Conductor	H mm	W mm
10	1.5 - 10	20	4.1
16	2.5 - 16	23	5.3
25	2.5 - 25	28	6.8
35	2.5 - 35	29	7.9
50	2.5 - 50	35	9.5
70	2.5 - 70	39	10.7
95	2.5 - 95	45	13.5
120	2.5 - 120	47	14.7

# DRAWING



 SHREE GANGA™ ENTERPRISE An ISO 9001:2015 Certified Co.		TOLERANCE UNLESS OTHERWISE STATED	$\pm 0.2$ ANGLE $\pm 0'10''$
HEAT TREATMENT NA		UNIT mm	
MATERIAL Copper	DATE 05.08.2020	QTY.	
TITLE Copper Split Bolt	DRG. NO. SG 1053		
	SCALE 1 : 1	SHEET 1 OF 1	